

Optical Splitters



This line of splitter modules is designed to expand FTTH network functionality as well as cut installation time and costs. Designed to meet the needs of implementing PON networks in residential and MDU applications, the Connectivity Solutions Direct line of pigtailed splitters allows the provider to pick wall or rack mount boxes or use the individual compact splitter modules in various existing FDH cabinets.

The splitter modules all use ITU-T G.657.A1. Bend insensitive fiber with a 10 mm bend radius to minimize loss. The compact splitter modules come standard with SC/APC connectors, and 1 x N split ratios up to 64. Other 2 x N configurations are available as well.

Features & Benefits

- Easy to Install
- Compact Module Design
- Bend-Insensitive Fiber
- Rugged Construction
- SC/APC Pigtails (std)
- Performance Characteristics Meet or Exceed OEM Specifications

Applications

- PON/GPON Networks
- CO / Headend
- Outside Plant FDH's or LCP's

Optical Splitters

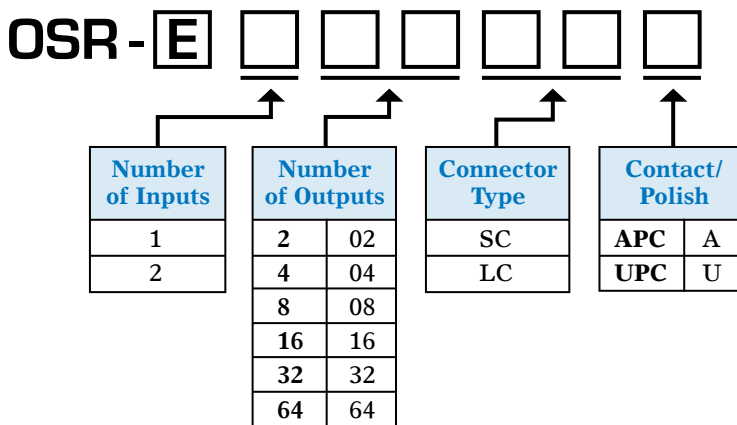
Specifications

Optical Splitter							
Configuration	Typical Loss**	Max Loss**	Uniformity	Return Loss	Directivity	PDL	Dimensions (LxWxH)
1x4	6.8 dB	7.3 dB	≤0.5 dB	≥55 dB	≥55 dB	0.2dB	4.75 x .69 x 3.12
1x8	9.8 dB	10.3 dB	≤1.0 dB	≥55 dB	≥55 dB	0.2dB	4.75 x .69 x 3.12
1x16	13.2 dB	13.5 dB	≤1.3 dB	≥55 dB	≥55 dB	0.3dB	4.75 x .69 x 3.12
1x32	16.5 dB	16.7 dB	≤1.5 dB	≥55 dB	≥55 dB	0.3dB	4.75 x .69 x 3.12
1x64	19.7 dB	20.4 dB	≤1.9 dB	≥55 dB	≥55 dB	0.3dB	4.75 x .69 x 3.12
General							
Operating Temperature	-40° C – +85° C						
Storage Temperature	-40° C – +85° C						
Compliance	Design and Test Criteria Product is compliant with Telcordia GR-326, GR-1209 and GR-1221						
RoHS	Free of hazardous substances according to RoHS2011/65/EU						

* Does not include connector loss. **For wavelength range 1600-1650nm, add IL 0.5dB for 1x4, 1x8, 1x16 and 1.0dB for 1x32 Splitter

Ordering Information

Splitter Module



Splitter with Holder



CSD's convenient splitter holder keeps up to 6 splitters neatly organized and gently holds them place. Simply position the holder in the desired locations and route the splitter pigtails to desired port in the FTTX network.

Description	Part Number
Splitter Holder w/ One 1x32 Optical Splitter	OSR-EH132SCA
Optical Splitter, 1x32	OSR-E132SCA

Need more help? | Get answers from our experts at **877-248-1286** for more information or visit our web site www.csd-network.com