

n+1™ Cassettes

8-Port & 12-Port (SM, MM)



Two cassettes serve as the building blocks for the CSD n+1™ platform. The n+1 8-port cassette enables (8) duplex LC ports, converted from 8f or 16f MPO trunks. The n+1 12-port cassette enables (12) duplex LC ports, converted from 8f, 12f or 24f MPO trunks. Both 8-port and 12-port cassettes can not only be deployed within the same n+1 housing, but even on the same internal tray if desired. There is no reduction in patching port density, regardless of the cassette mix. The cassette components are fully interchangeable, allowing cassettes to be configured for Conversion, Patching, Splicing, Taps, Splitters or Fanout.

CSD's n+1 platform feature Standards-based cabling with “n+1” internal-cassette polarity. The same cassette is used at both ends of the link; no cassette or patch cord flipping required.

www.csd-network.com

Features

- 8 & 12 Port cassettes support optical trunks with 8-fiber, 12-fiber, 16-fiber, and 24-fiber MPO's
- 96 ports per RU
- Cassettes support multiple applications:
 - Conversion
 - Splicing
 - Taps
 - Patching
 - Fanout
 - Splitter (xWDM)
- Single Mode and Multimode (OM4)
- Shuttered LC adapters available
- Supports duplex/parallel migration
- n+1 polarity – common cassette, no cassette or patchcord flipping required
- Supports 10/25/40/50/100/200/400G migration

Applications

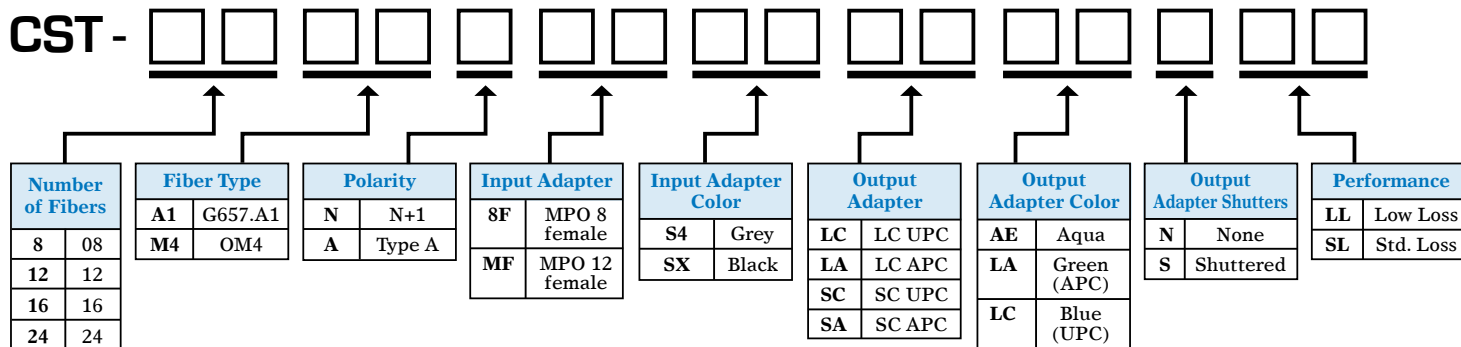
- Data Centers
- Enterprise Structured Networks
- Storage Area Networks

Specifications

	Single Mode	Multimode
Port Count	8/12	8/12
Front Adapter Type	SC, duplex LC	SC, duplex LC
Front Adapter Color	Blue (UPC), Green (APC)	Aqua
Rear Adapter Type	TIA/EIA 604-5 MPO, Type A opposed key	TIA/EIA 604-5 MPO, Type B aligned key
Rear Adapter Color	Type A, opposed key, black	Type B, aligned key, gray
Polarity	N+1	N+1
MPO Configuration	Internal MPO connector is unpinned	Internal MPO connector is unpinned

Optical Performance		
UPC Standard Loss	0.90 dB (OS2)	0.90 dB (OM4)
UPC Low Loss	0.50 dB (OS2)	0.40 dB (OM4)
APC Standard Loss	0.95 dB (OS2)	
APC Low Loss	0.55 dB (OS2)	

Ordering Information



Need more help? | Get answers from our experts at **877-248-1286** for more information or visit our web site www.csd-network.com